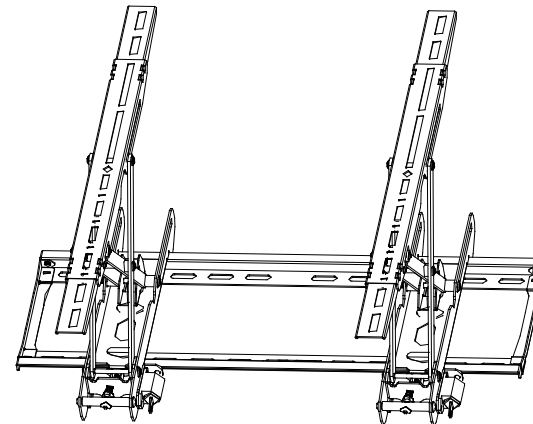
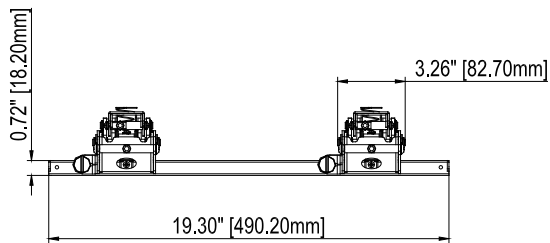


IN 0.25" [6.35mm]  
OUT 0.25" [6.35mm]

UP 0.5" [12.7MM]  
DOWN 0.5" [12.7MM]



THE INFORMATION CONTAINED IN THIS DRAWING IS THE SOLE PROPERTY OF CRIMSON AV LLC. ANY REPRODUCTION IN PART OR AS A WHOLE WITHOUT THE WRITTEN PERMISSION OF CRIMSON AV LLC IS PROHIBITED



**CRIMSON AV LLC.**

PRODUCT ORDER NUMBER: VWP4600  
PHONE: 1-866-668-6888

Crimson AV LLC.  
1854 Elmdale Avenue  
Glenview, IL 60025

TITLE:  
VWP4600

SIZE DWG. NO.  
B VWP4600